



DURGA LAXMI TECHNO SOLUTIONS PVT. LTD.



Your Trusted Partner for Quality Spare Parts in Sponge Iron Plants

With over 14+ years of industrial experience in the steel sector, M/S Durga Laxmi Techno Solutions PVT LTD is a trusted provider of high-quality spare parts for Steel, power ,mining ,pellette and sponge iron plants. We are committed to delivering precision-engineered components designed for durability and performance, ensuring smooth operations for our clients worldwide.



**Work Shop : Plot No. 132, Near Masjid, Doolapally Road,
Prashanth Nagar, IDA Jeedimetla, Hyderabad-55.**

E-mail : admin@dltechnoworks.com

www.dltechnoworks.com



OUR EXPERTISE

We manufacture and supply a comprehensive range of spare parts as per your Requirement Our products are built to withstand demanding conditions, ensuring more reliability.

OUR WORKS

Operation & Maintenance, Manpower supply for the sponge Iron plants, Power plants, Steel Plant etc.,



SPONGE IRON PLANT



POWER PLANT



STEEL PLANT



CEMENT PLANT



POWER THERMAL PLANT



MINING INDUSTRY

OUR VISION

To be a leading force in the global industrial sector, known for our innovation, reliability, and excellence in production and service. We aim to continuously improve, empowering industries to operate efficiently and sustainably.

OUR MISSION

We are committed to providing high-performance solutions to meet the evolving needs of our clients, with a focus on superior quality, customer satisfaction, and long-term partnerships.



-  **Advanced Technology**
-  **High Quality Production**
-  **Customized Design**
-  **Durable and Reliable Equipments**

OUR METALLURGICAL LABORATORY

Our advanced metallurgical laboratory is equipped with state-of-the-art equipment, ensuring strict quality control at every stage of production.

- **Handheld Spectrometer** : For precise elemental analysis.
- **Universal Testing Machine (UTM)** : Evaluates tensile and compressive strength.
- **Hardness Testing Machine** : Measures material hardness.



HANDLED SPECTROMETER



HARDNESS TESTING MACHINE

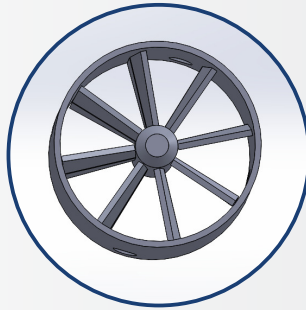
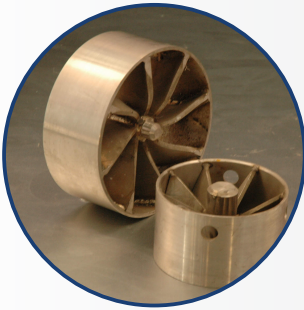
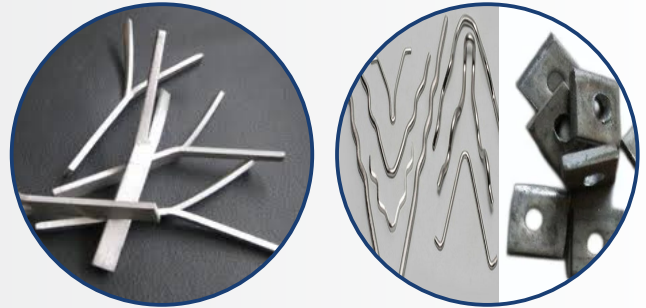


UNIVERSAL TESTING MACHINE



ANCHORS

Stabilizing solutions for high-temperature environments. High-quality anchors for refractories, designed for strength and longevity under extreme heat.

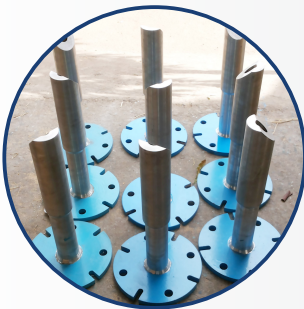
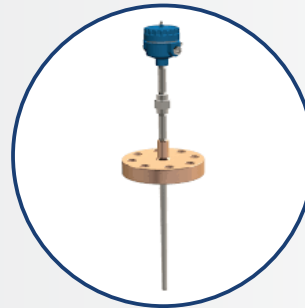


SWIRLERS

Optimized air and fuel mixing. Our swirlers ensure efficient mixing for better combustion and performance.

PROTECTION TUBES

We offer a variety of thermocouples that provide precise temperature measurement in critical areas of the plant, ensuring accurate monitoring and control of processes.

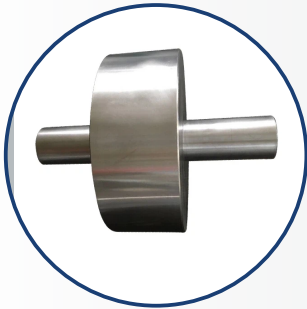
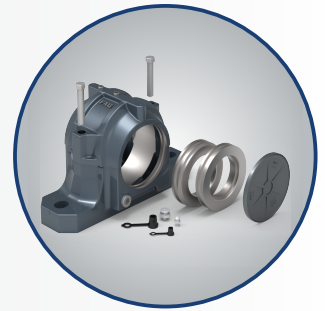
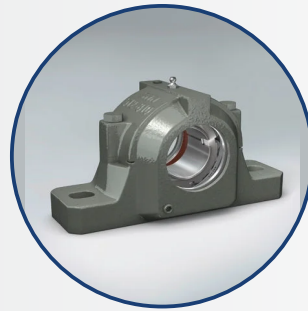


THERMO WELLS

Our durable thermo wells protect temperature sensors in high-pressure and high-temperature environments, extending the life of your thermowell and other measuring instruments.

PLUMBER BLOCKS

Robust support for rotating shafts.
Heavy-duty plumber blocks engineered to provide strong, reliable support.



SUPPORT ROLLERS

Precision and performance. Engineered for kilns and other rotary systems, providing smooth operation under pressure.

PINIONS

Efficient torque transmission. Durable gear and pinion sets for the reliable transmission of torque in rotary systems.



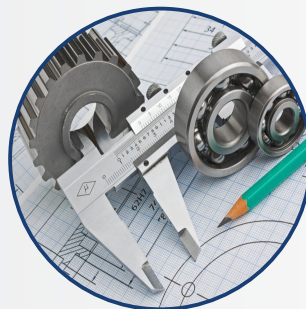
SPRING PLATES

Superior strength and flexibility. Custom-manufactured spring plates designed for durability in high-stress applications.

2D & 3D DESIGNS

Benefits of having the 3D CAD model at the center of your Design-to-Manufacturing process:

- * Automatically propagate changes: Design changes propagate automatically to downstream functional areas.
- * Eliminate the need to freeze designs for manufacturing : You can incorporate changes late in the product development cycle without the need to push out delivery dates.
- * Design and manufacture concurrently : All departments can start their tasks earlier.
- * Control master representation of the design:



Why Choose Us?

- Proven Experience: 14 years of expertise in the steel and sponge iron industries.
- Global Reach: Supplying high-quality spare parts across India and globally.
- Advanced Testing: In-house metallurgical lab ensures top-tier quality and performance.
- Custom Solutions: Components designed to meet your plant's specific requirements.
- Customer-Centric Approach: Timely delivery and exceptional after-sales support.

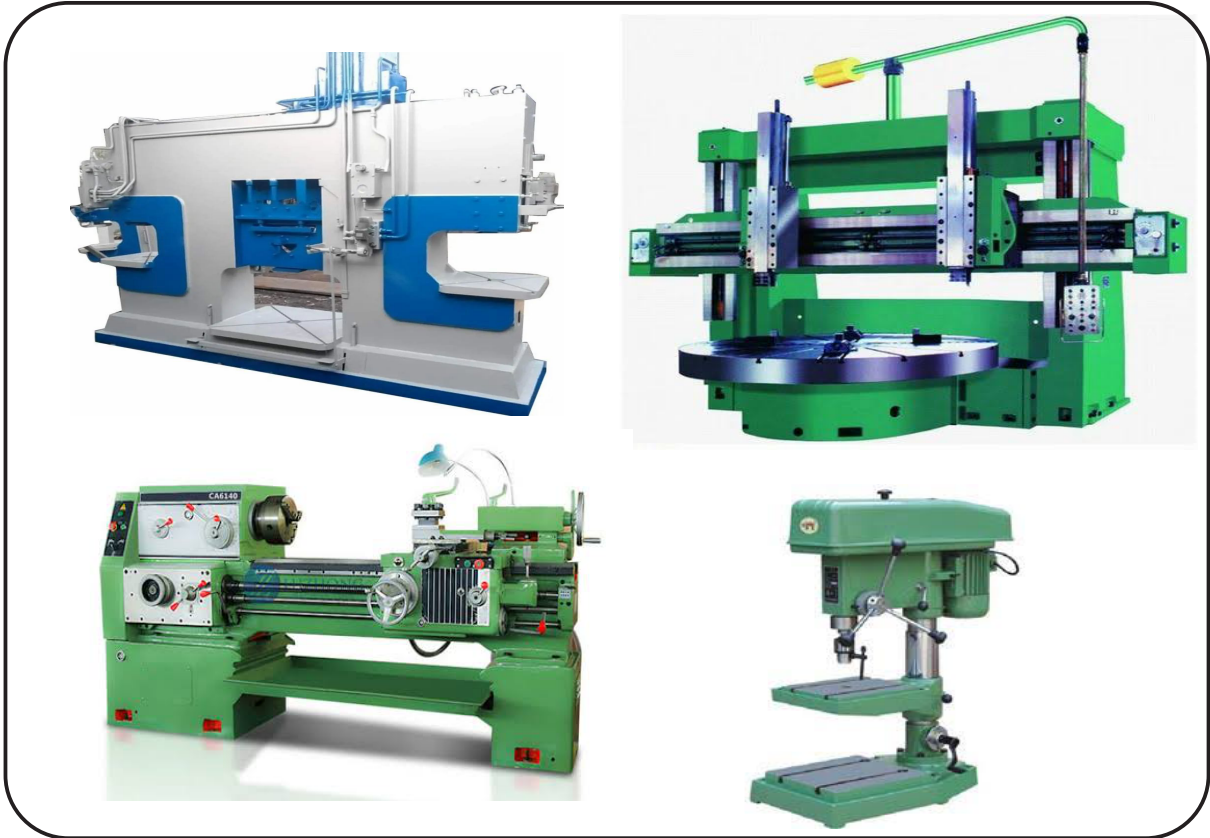
Technical Support :

Our team of experts is always ready to assist with product selection, installation, and troubleshooting to keep your operations running smoothly. Our Commitment to the Industry At M/S DurgaLaxmi Techno Solutions PVT LTD, we are committed to excellence and innovation. Our goal is to support the steel and sponge iron industries by delivering reliable, cost-effective, and long-lasting spare parts that contribute to the efficiency and sustainability of your operations.



**Let us help you keep your plant running efficiently with our high-quality spare parts.
Partner with us for a seamless operation and superior performance in your
sponge iron production.**

**This brochure highlights our experience, expertise, and the wide range of
products we offer for sponge iron plants. We look forward to partnering with you!**



OUR LICENCE AND CERTIFICATIONS



Thank you for considering **DURGA LAXMI TECHNO SOLUTIONS** as your partner
We look forward to the opportunity to the serve you and contribute to the success



MORE DETAILS



DL TECHNOS

**DURGA LAXMI
TECHNO SOLUTIONS PVT. LTD.**

Work Shop : Plot No. 132, Near Masjid, Doolapally Road, Prashanth Nagar,
IDA Jeedimetla, Hyderabad - 500 055. Contact : 8763629898, 9392489447
E-mail : admin@dltechnoworks.com, www.dltechnoworks.com